

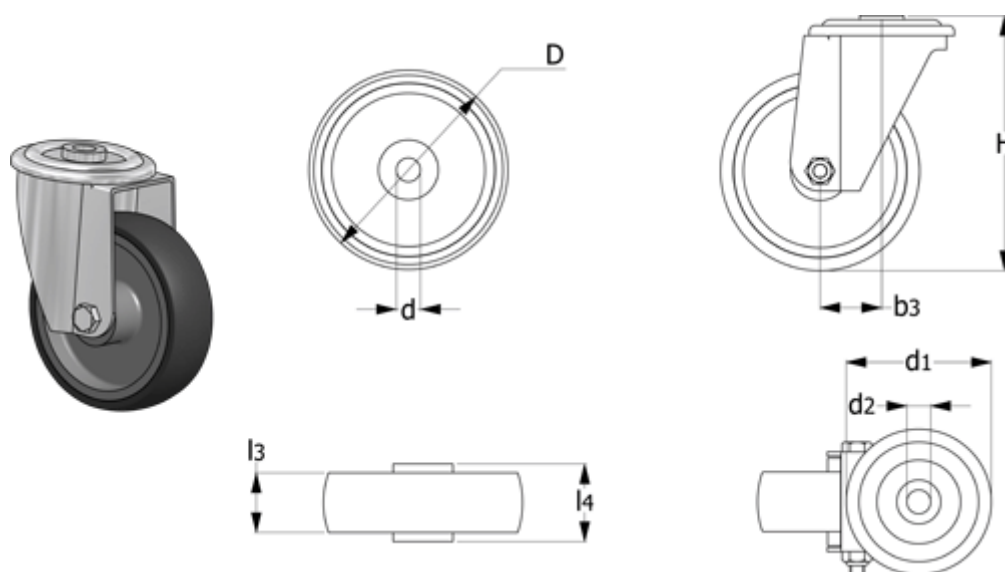
# Data Sheet



Article number: 2314452706

Description: E+G Thermoplastic wheel 452706  
RE.G1-100-FBL turning plate wo/brake

## Measures



b3	= 35
Code	= 452706
d	= 12
D	= 100
d1	= 73
d2	= 12
Dynamic load (N)	= 1000
g	= 630

l3	= 30
l4	= 44
Rolling resistance (N)	= 1000
Type	= RE.G1-100-FBL